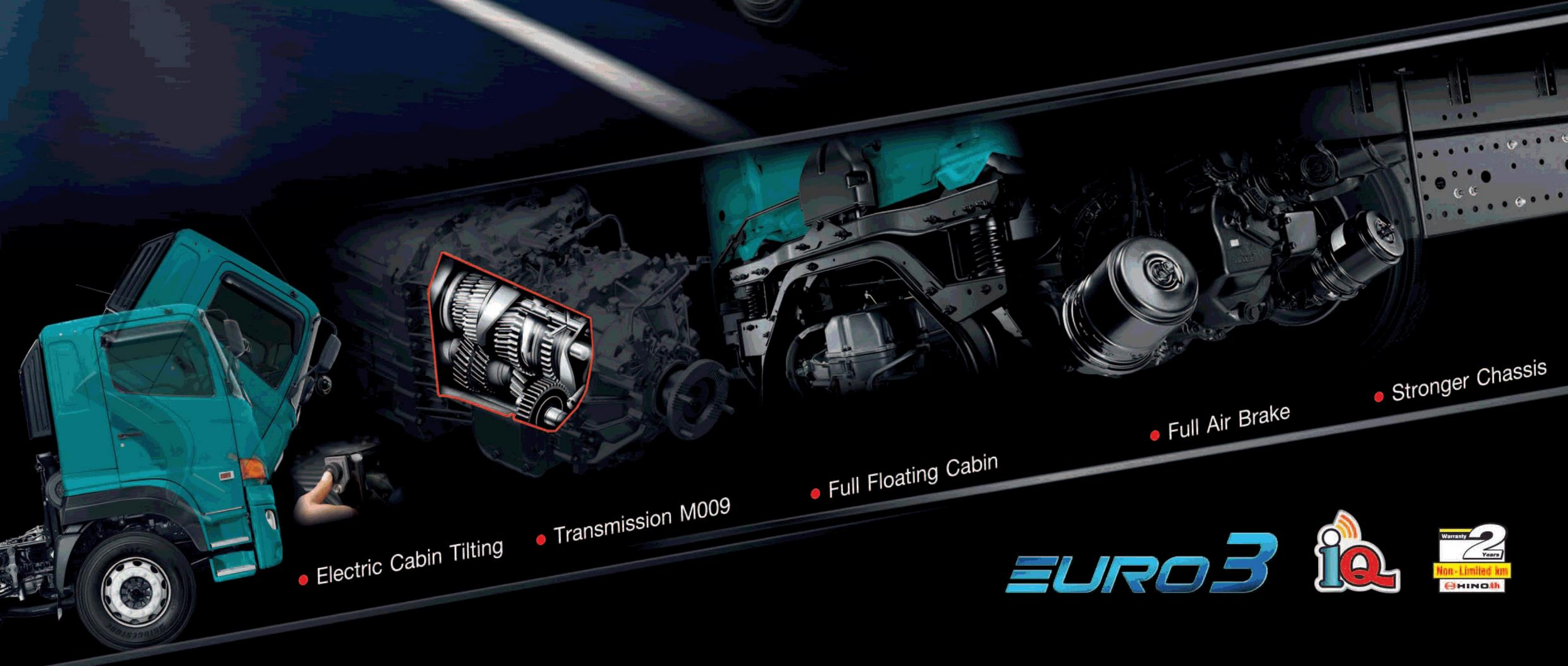


VICTOR



- Electric Cabin Tilting
- Transmission M009
- Full Floating Cabin
- Full Air Brake
- Stronger Chassis

EURO3



Warranty 2 Years
Non-Limited km
HINO.th

PERFORMANCE & GEAR RATIO

Model		FL1AN1A-SHT	FL1AS1A-SHT
Max. speed (Km/h)		105	113
Gradeability % (Degree)		57.5 (29.9)	52.1 (27.5)
Transmission model		MOO9 OD	
Gear ratio	Crawler	10.178	
	1st	6.986	
	2nd	5.063	
	3rd	3.636	
	4th	2.633	
	5th	1.921	
	6th	1.392	
	7th	1.000	
	8th	0.724	
Rev.	9.874		
Rear axle gear ratio		5.250	4.875

ENGINE

HINO A09C-TH

Max.output (EEC Net)	253 kW (344 PS) at 1,900 rpm
Max.torque (EEC Net)	1,275 N.m (130 kgf.m) at 1,100 rpm
Type	Diesel 4-stroke cycle, Vertical 6 cylinder In-line, Overhead camshaft, Water-cooled Turbo intercooler
Fuel injection pump	Electronic control, Commonrail type
Bore x Stroke	112 x 150 mm
Piston displacement	8,866 cc
Compression ratio	17.0 : 1
Emission level	EURO 3

CLUTCH

Dry single plate, Hydraulic control with air booster

TRANSMISSION

9 Speeds, Overdrive
Synchromesh crawler - 8th

FRONT AXLE

Type	Reverse elliot "I" section beam
Axle capacity	7,500 kg

REAR AXLE

Type	Full-floating, Single reduction, Hypoid gearing
Axle capacity	21,000 kg

SERVICE BRAKE

Type	Leading-trailing shoes operating by S-cam shaft and slack adjuster acting on all wheels
Control	Full air, Dual circuits

PARKING BRAKE

Type	Wheel parking acting on front and R1 axle
------	---

EXHAUST BRAKE

Type	Engine retarder
------	-----------------

STEERING

Type	Recirculating ball with hydraulic booster
Gear ratio	21.6

SUSPENSION

Front	Semi-elliptic leaf springs with shock absorbers
Rear	Semi-elliptic main with torque rods

WHEELS & TIRES

Disc wheel	22.5 x 7.50, 10 studs
Tire size	11R22.5-16PR

FUEL TANK

Capacity	390 L
----------	-------

CHASSIS FRAME

Type	Ladder-shaped channel section side rails "I"
------	--

CAB

Type	All steel welded construction, Laminated safety glass applied
------	---

ELECTRICAL EQUIPMENT

Batteries	12 V, 120 Ah. X 2
Alternator	24 V, 60 A

AIR CONDITIONER

Denso

SAFETY

SRS Airbag, Adjustable headlamp

COMFORTABILITY

Power window & Central lock

OPTION

Wind deflector, ABS, PTO

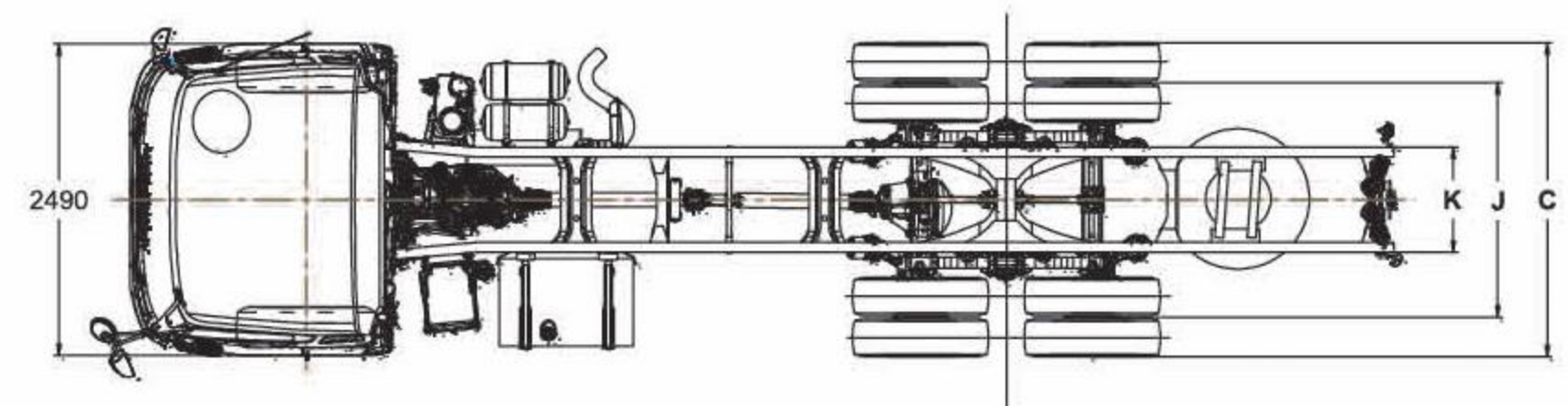
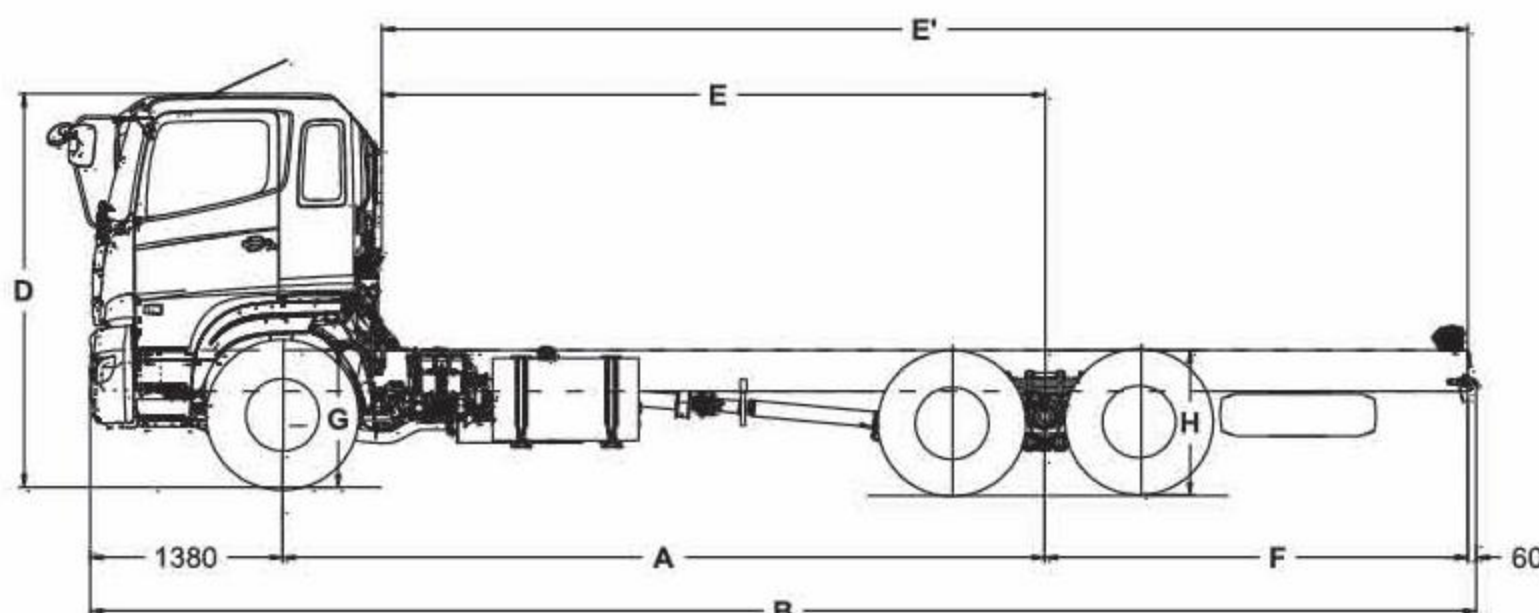
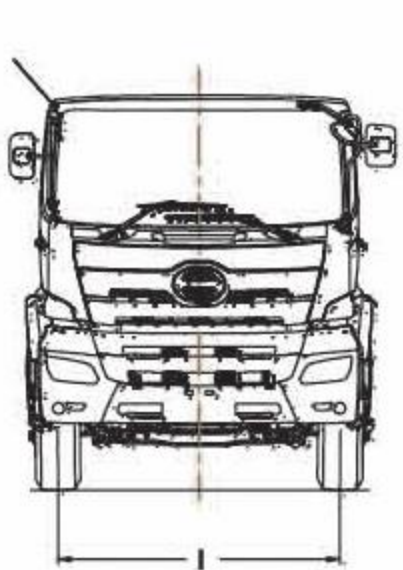
Description		FL1AN1A-SHT	FL1AS1A-SHT
Gross vehicle weight (GVW)	kg	25,000	
Chassis weight	Front	3,200	3,330
	Rear	3,910	3,870
	Total	7,110	7,200
Turning radius	Tire	8,000	9,300
	Swept	8,800	10,100
Road clearance	At differential case	245	
Number of seat		3	

DIMENSIONS

Unit : mm

Model	A	B	C	D	E	E'	F	G	H	I	J	K
FL1AN1A-SHT	4,605	8,295	2,460	2,900	3,860	6,110	2,250	1,020	1,050	2,055	1,860	840
FL1AS1A-SHT	5,505	9,645	2,460	2,900	4,760	7,460	2,700	1,020	1,050	2,055	1,860	840

A - Wheelbase B - Overall length C - Rear tire width D - Overall height E - Cab to rear axle E' - Cab to end frame
F - Rear overhang G - Frame height at front axle H - Frame height at rear axle I - Front tread J - Rear tread K - Chassis width



Remark : HINO MOTORS SALES (Thailand) Ltd., has rights to change specifications without prior notice.



สั่งซื้อรถติดต่อ

LINE: @LOVEHINO

LOVEHINO HOTLINE

☎ 085-137-5367